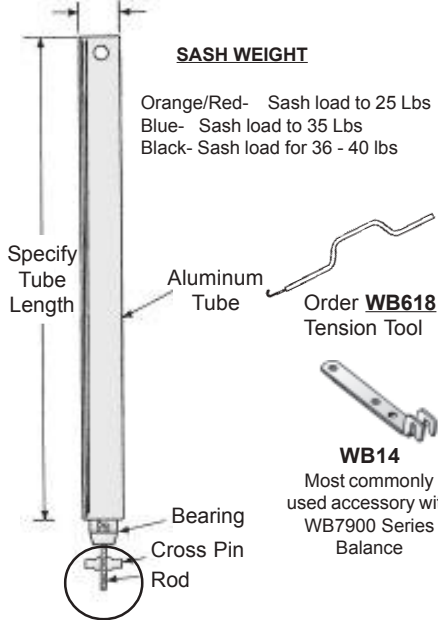


**WB7900 Series Tube Balance
Non Tilt**

Specify Tube Length & Bearing
Color When Ordering

Actual Diameter 9/16".
Referred to as 5/8" in Trade.



SASH WEIGHT

Orange/Red- Sash load to 25 Lbs
Blue- Sash load to 35 Lbs
Black- Sash load for 36 - 40 lbs

Order **WB618**
Tension Tool

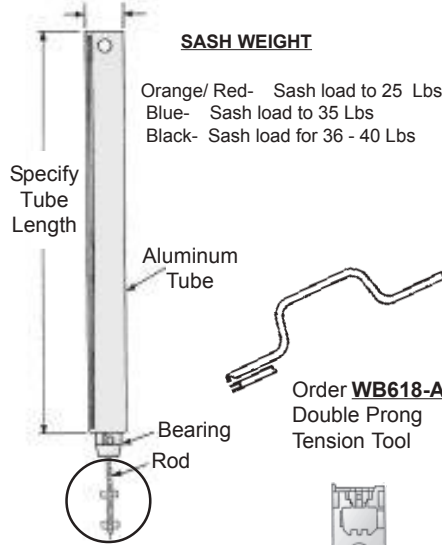
WB14
Most commonly
used accessory with
WB7900 Series
Balance

For
Double / Single Hung, Non-Tilt /
Non-Take Out Style Windows

**WB79-AT Series Tube Balance
Tilt**

Specify Tube Length & Bearing
Color When Ordering

Actual Diameter 9/16".
Referred to as 5/8" in Trade.



SASH WEIGHT

Orange/ Red- Sash load to 25 Lbs
Blue- Sash load to 35 Lbs
Black- Sash load for 36 - 40 lbs

Order **WB618-AT**
Double Prong
Tension Tool

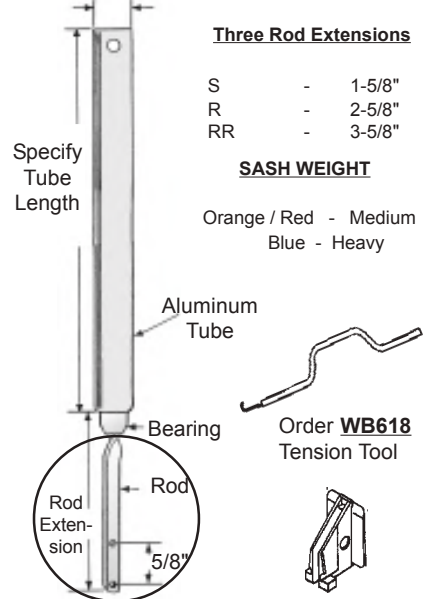
WB1047
Most commonly used
accessory with
WB79 -AT Series
Balance



WB79-TO Series Tube Balance

Specify Tube Length, Bearing,
Rod extension and Color When Ordering

Actual Diameter 9/16".
Referred to as 5/8" in Trade.



Three Rod Extensions

S - 1-5/8"
R - 2-5/8"
RR - 3-5/8"

SASH WEIGHT

Orange / Red - Medium
Blue - Heavy

Order **WB618**
Tension Tool

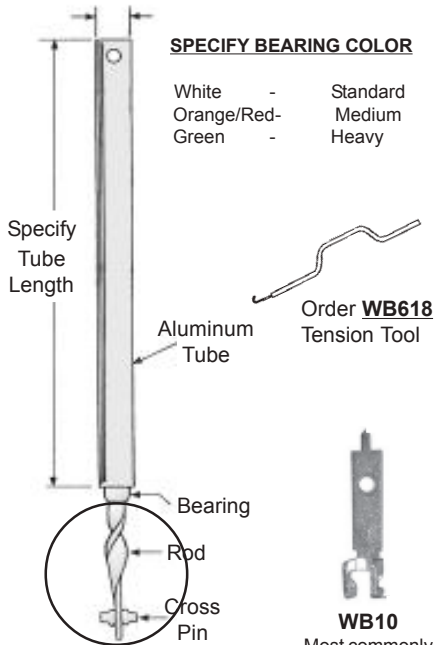
WB213
Please specify if
required at time of
order

Specify Rod Extension
when ordering

**WB7700 Series Tube Balance
Non Tilt**

Specify Tube Length & Bearing
Color When Ordering

3/8" Diameter



SPECIFY BEARING COLOR

White - Standard
Orange/Red- Medium
Green - Heavy

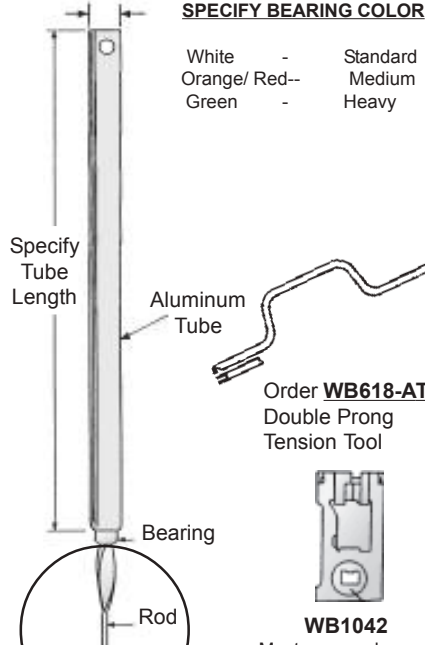
Order **WB618**
Tension Tool

WB10
Most commonly
used accessory
with WB7700
Series Balance

**WB77-IT Series Tube Balance
Tilt**

Specify Tube Length & Bearing
Color When Ordering

3/8" Diameter



SPECIFY BEARING COLOR

White - Standard
Orange/ Red-- Medium
Green - Heavy

Order **WB618-AT**
Double Prong
Tension Tool

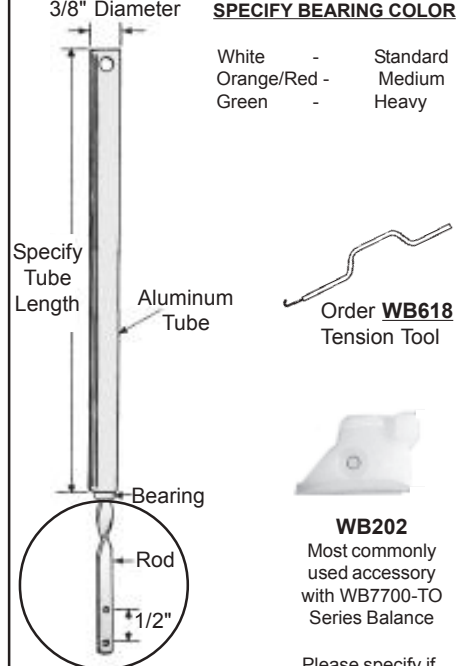
WB1042
Most commonly used
accessory with
WB77-IT Series
Balance

For Tilt Windows

WB77-TO Series Tube Balance

Specify Tube Length & Bearing
Color When Ordering

3/8" Diameter



SPECIFY BEARING COLOR

White - Standard
Orange/Red - Medium
Green - Heavy

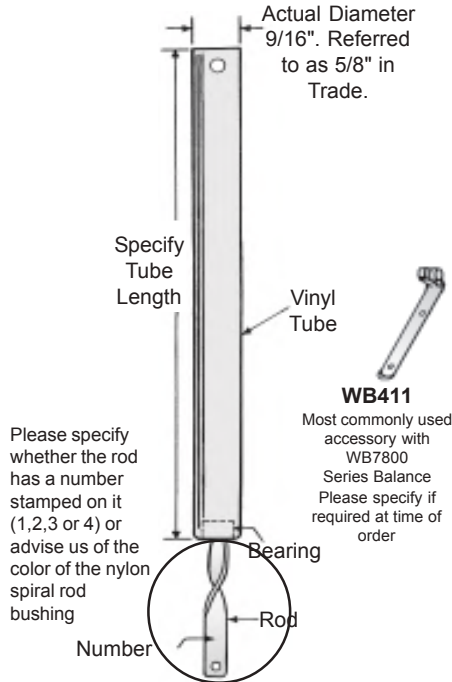
Order **WB618**
Tension Tool

WB202
Most commonly
used accessory
with WB7700-TO
Series Balance

Please specify if
required at time of
order

WB7800 Series Tube Balance

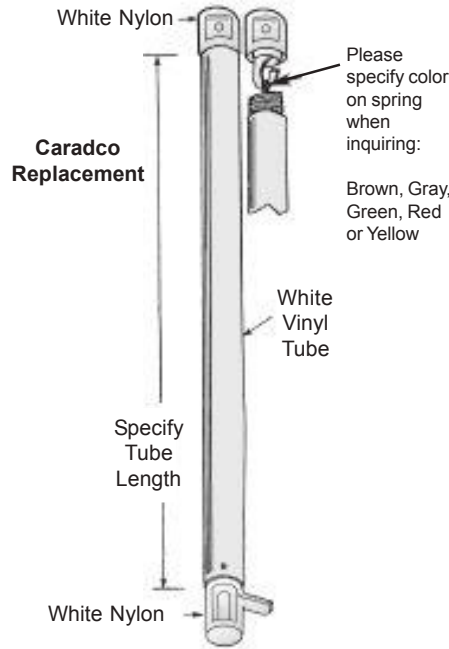
Specify Tube Length & Bearing Color When Ordering



Gray tube is standard for all WB7800 Series balances. All other tube colors must be special ordered.

WB7400 Series Tube Balance

Specify Tube Length & Color On Spring When Ordering



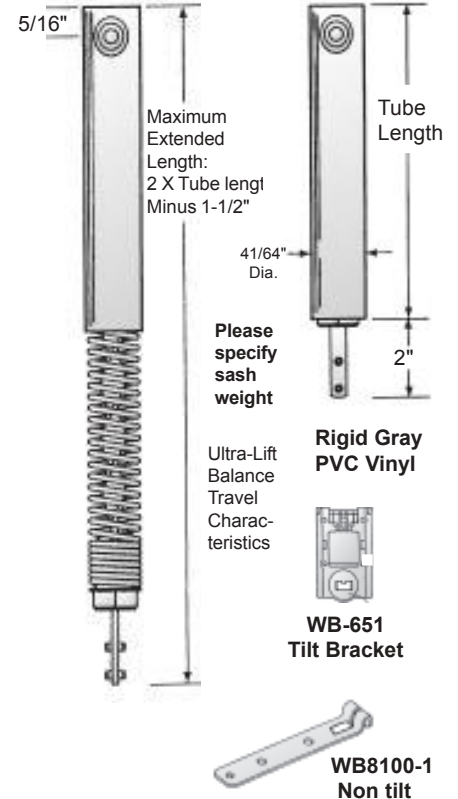
ULTRA-LIFT BALANCE

(Special Order)

Makes 80-Lb Sash Easy To Lift !

Specify tube length / weight / tilt or non tilt

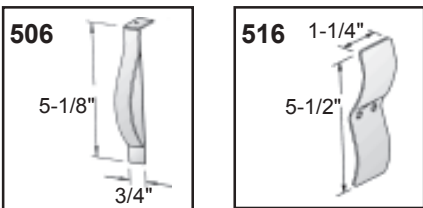
30-80 lbs per pair capacity Available 20-1/2" - 60-1/2"



Fast Fix Window Springs
For Double Hung Windows

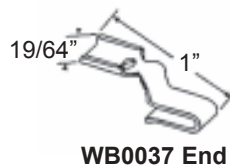
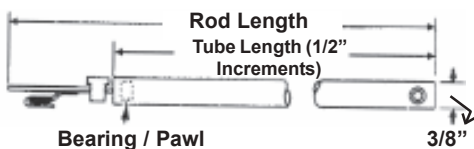
Eliminates broken sash cords. When sash cords break or windows rattle, insert the spring between the window frame and the sash and nail in place. Once installed, the spring will hold the window in position.

Sold by pair

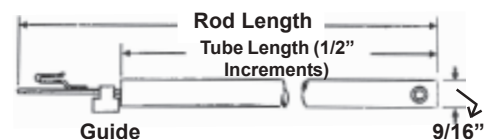


- Lifts 70% of sash weight vs AAMA's 40% minimum.
- Useable with both tilt and non-tilt windows.
- Fits most C-20 and HC-40 AAMA-Grade single and double hung windows.
- Fits most large architectural wood windows. Call Customer Service for more details.

WB6000 SERIES
3/8" TUBE BALANCE



WB7000 SERIES
5/8" PLASTIC TUBE BALANCE
Tube diameter 9/16" but considered 5/8" in the trade



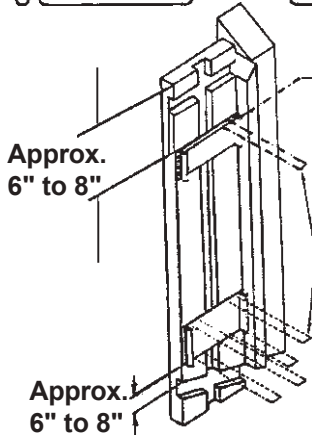
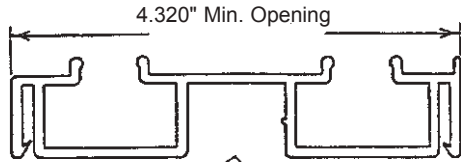
Limited stock available for WB6000 series and WB7000 series balance. Black tube is standard. Gray may be available on balances in warehouse. Contact Customer Service for availability. Possible substitute: WB0037 end guide attached to WB7700-TO Series or WB7900-TO Series. See page _____.

Full Tilt Balance Systems

CB8500 Series - For 1-3/4" Sash Thickness - Wood Frames
 CB8800 Series - For 1-3/8" Sash Thickness - Wood Frames

Caution: Our jambliners are square cut. Sill degree of angle to be determined at job site.

CB8500 Series Vinyl Jambliners



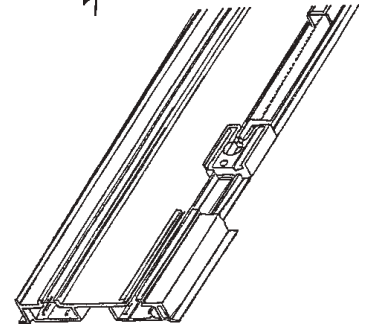
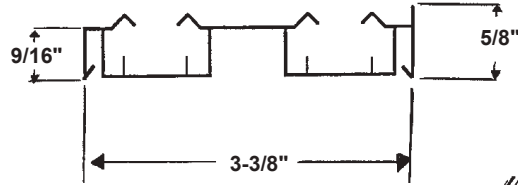
Frame Jamb Preparation For Bracket Application

Place end of bracket against blind stop.
NOTE: Do not drive staple too tight. A small amount of free play in the bracket is desirable. Place vinyl jambliner against brackets and snap into place. 1/2" X 1/2" X 16 gauge staple. Additional brackets will be furnished for larger glass heights.

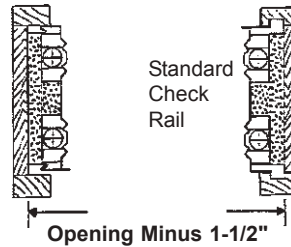
Frame Applications And Sash Prefit



CB8800 Series Vinyl Jambliners

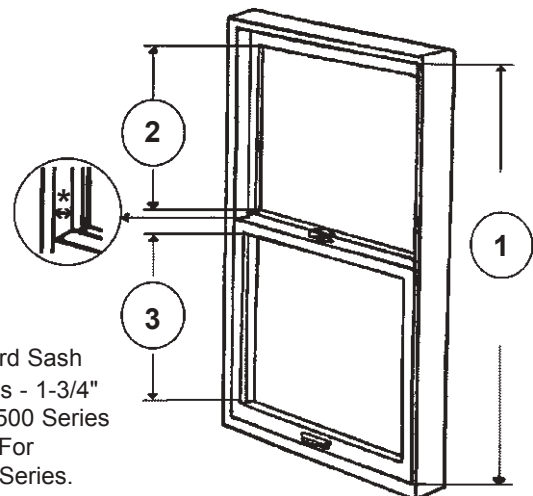


FRAME APPLICATIONS AND SASH PREFIT



CRITICAL INFORMATION (REQUIRED) WHEN IDENTIFYING FULL TILT & NON-TILT BALANCE SYSTEMS

1. Overall Opening _____
2. Visible Glass Height (upper) _____
3. Visible Glass Height (lower) _____
4. Sash Weight _____
5. Color: White or Beige _____
6. Sash Thickness _____
7. Specify Series _____



* Standard Sash Thickness - 1-3/4" For CB8500 Series & 1-3/8" For CB8800 Series.

***Caution:** When converting an old style wooden sash to a newer style Full Tilt or Jambliner System, modifications may be required.

<p>WB-3</p> <p>WB-4 WB-4-Spec w/ loop spring</p>	<p>WB-10</p>	<p>WB-11</p>	<p>WB-14</p>	<p>WB-18</p>
<p>WB-22</p>	<p>WB-202</p>	<p>WB-411 replacement may differ slightly from original</p> <p>w/ rivet</p>	<p>WB-436 UNIQUE</p>	<p>WB-616 Black or white</p>
<p>WB-618</p> <p>WB-618-AT</p>	<p>WB-627</p> <p>Black or white</p>	<p>WB-634</p> <p>Black or white</p>	<p>WB-643</p>	<p>WB-644</p>
<p>WB-646-L/R</p> <p>Black or white</p>	<p>WB-651</p> <p>Black Cam</p>	<p>WB-652</p> <p>Tan Cam</p>	<p>WB-653</p> <p>Red Cam</p>	<p>WB-657 Plunger</p>
<p>WB-658 Black or white</p> <p>Anti draft black</p>	<p>WB-664</p> <p>Front View Back View</p>	<p>WB-1042 Used with WB77-IT Series</p> <p>White Cam</p>	<p>WB-1042-1</p> <p>Pivot Bar</p>	<p>WB-1047 Used with WB79-AT Series</p> <p>Blue Cam</p>
<p>WB-1059</p>	<p>WB-1064 For Crestline</p> <p>Assy includes (1) of each piece shown For spring, order WB7500-Spring</p>	<p>WB-1073 3 pc. foot assembly</p> <p>Cast zinc replacement</p>	<p>WB-1083-Upper Black only</p> <p>WB-1083-Lower</p>	<p>WL-33</p>

Constructed with solid brass, 1/8" thick face plate, ball bearing solid brass wheel, & stamped steel housing.



Model	Face Plate Width	Face Plate Length	Mount Hole Centers
571-A-004	1.250" (1-1/4")	6.390" (6-25/34")	5.187" (5-3/16")
571-B-004	1.250" (1-1/4")	5.578" (5-37/64")	4.500" (4-1/2")
571-C-004	1.125" (1-1/8")	5.437" (5-7/16")	4.375" (4-3/8")
571-D-004	1.093" (1-3/32")	4.937" (4-15/16")	4.000" (4")

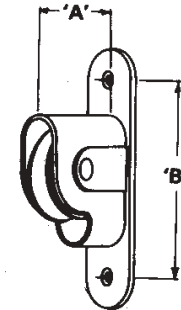


Designed to meet the needs of custom high-end window fabricators building large and heavy sash, and enables the use of 2" diameter or 2" square counterweights in most applications.

The standard finish is satin lacquered brass. Other finishes are available.

Constructed with cast housing and wheel, steel axle and operating with chain or rope. Available in red bronze (010) and nickel bronze (029).

Model	Face Size	Wheel Diameter	Sash Weight	'A' Dimension	'B' Dimension
571-A-029 571-A-010	1-1/4" x 6-1/2"	3"	50-200 lbs.	2-1/4"	5-3/16"
571-B-029 571-B-010	1-1/4" x 5-3/4"	2-1/2"	30-50 lbs.	2"	4-1/2"
571-C-029 571-C-010	1-1/8" x 5-1/2"	2"	20-40 lbs.	1-3/4"	4-3/8"
571-D-029 571-D-010	1" x 5"	2-1/4"	20-40 lbs.	1-5/8"	4"
571-E-029 571-E-010	1" x 4-5/8"	2"	1-20 lbs.	1-1/2"	3-5/8"



Sash Weights

- 571-WT-1-1/2-051
3-1/4" high
- 571-WT-2-051
4" high
- 571-WT-8-051
15-1/2" high

- Available in 1-1/2 lb, 2 lbs & 8 lbs
- Designed to be stacked in combination to achieve desired weight.



Sash Chain

1532-Chain

- Copper dipped steel
- 100 ft. in box
- Max. work load - 75 lbs.

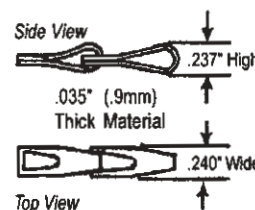


Sash Fixtures

1532-Fixtures*



- All 1532-Fixtures are packed with 25 sets per box - enough to repair 25 windows.
- 25 sets = 100 ea. hooks & 100 ea. spirals
- *fixtures only work with sash chain, sold separately.



1532-Cord

- Nylon sash cord #7
- 7/32" Nylon
- 100 ft. in box